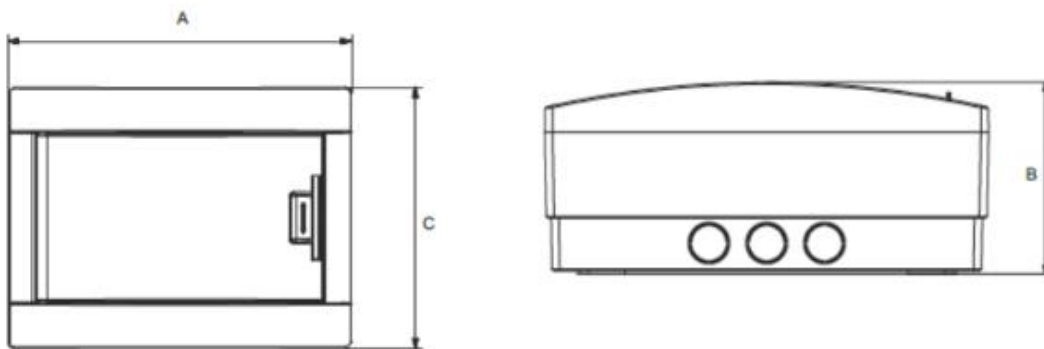


Technical Information



- Stainless steel screws for cover
- Stainless steel din rail
- Enclosure design for installation of DIN rails and terminals
- Suitable for the assembly of low voltage switchgear equipment



TECHNICAL DETAILS

| CODE | DESCRIPTION | A | B | C | WEIGHT | VOLUME | PCS |
|--------|----------------------------|--------|--------|--------|-----------|----------------------|-----|
| MD9314 | 2 Distribution Board S.M. | 140 mm | 98 mm | 143 mm | 14,65 Kg. | 0,101 m ³ | 60 |
| MD9316 | 4 Distribution Board S.M. | 140 mm | 98 mm | 150 mm | 14,65 Kg. | 0,108 m ³ | 45 |
| MD9302 | 6 Distribution Board S.M. | 184 mm | 100 mm | 140 mm | 11,20 Kg. | 0,089 m ³ | 30 |
| MD9304 | 8 Distribution Board S.M. | 231 mm | 100 mm | 176 mm | 9,80 Kg. | 0,092 m ³ | 20 |
| MD9306 | 12 Distribution Board S.M. | 295 mm | 100 mm | 221 mm | 14,70 Kg. | 0,140 m ³ | 20 |
| MD9308 | 18 Distribution Board S.M. | 390 mm | 103 mm | 220 mm | 10,25 Kg. | 0,097 m ³ | 10 |
| MD9310 | 24 Distribution Board S.M. | 295 mm | 100 mm | 337 mm | 12,70 Kg. | 0,108 m ³ | 10 |
| MD9312 | 36 Distribution Board S.M. | 295 mm | 100 mm | 453 mm | 15,60 Kg. | 0,149 m ³ | 10 |
| MD9301 | 1-2 Distribution Board | 139 mm | 65 mm | 54 mm | 15,00 Kg. | 0,120 m ³ | 240 |